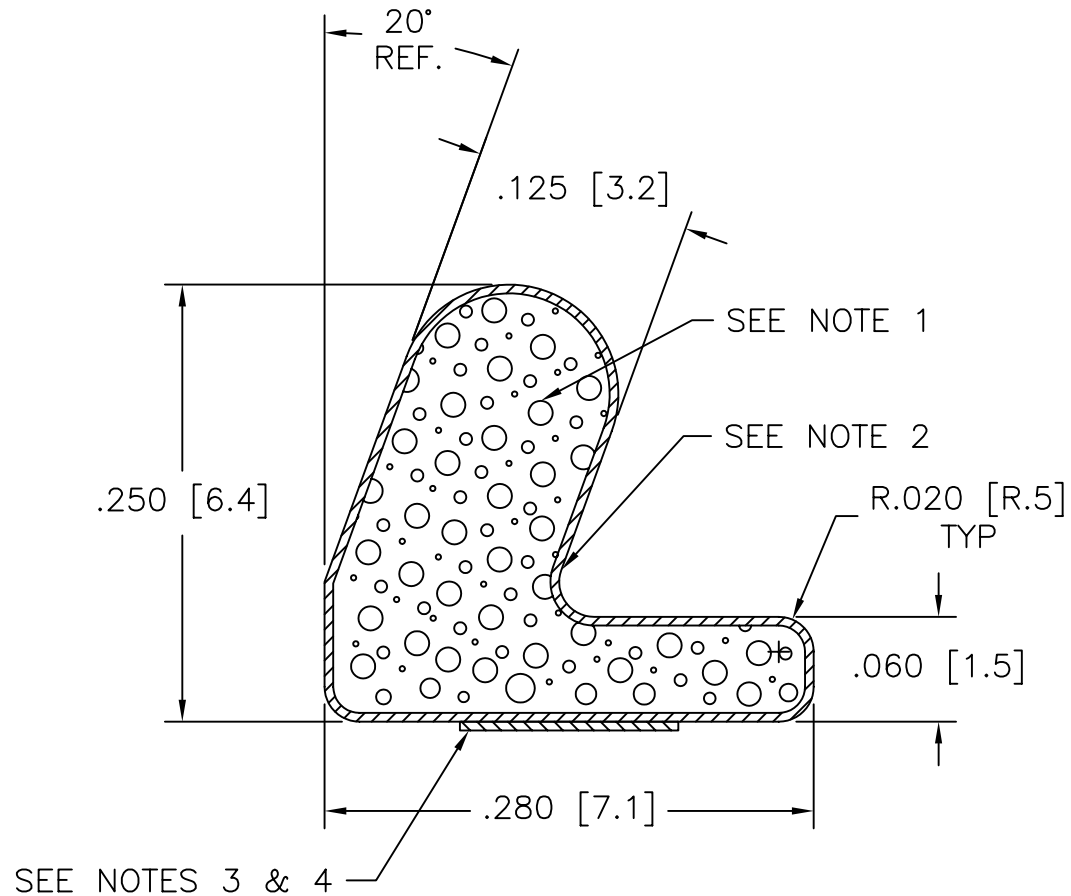


CONFIDENTIAL & PROPRIETARY

THIS INFORMATION IS CONFIDENTIAL AND PROPRIETARY TO LAIRD TECHNOLOGIES. IT MAY NOT BE DISCLOSED TO ANYONE, OTHER THAN LAIRD TECHNOLOGIES PERSONNEL, WITHOUT WRITTEN AUTHORIZATION FROM LAIRD TECHNOLOGIES.



NOTES:

1. FOAM: POLYURETHANE
2. FABRIC: NICKEL NRS FR
3. TAPE: 0.125" TAPE HI-TEMP
4. LINER: NO EXTEND RELEASE LINER.
5. CARRIER: NO CARRIER.
6. THIS PART IS RoHS COMPLIANT.

| REVISIONS: |
|------------|
| |
| |
| |
| |
| |

| | |
|---------------------------------|-----------|
| TITLE: SHIELDING GASKET | |
| Dwg. or Part No. 4593-PA-H1K | REV. 0 |

| | | |
|---------------------|------------------|---------------|
| DRAWN GIBILTERRA | DATE 10/02/07 | SCALE: 1/1 |
| CHECKED BY: FJG | DATE 10/02/07 | |
| RELEASED BY: FJG | DATE 10/02/07 | |

| | | |
|--|-------------------|--------------------|
| DIMENSIONS ARE IN INCHES. UNLESS OTHERWISE SPECIFIED, TOLERANCES ARE AS FOLLOWS: | | |
| DECIMALS | LENGTH | |
| .XX ± .03 | 0" - 6" ± .030" | |
| .XXX ± .020 | 6" - 11" ± .050" | |
| | 11" - 48" ± .100" | |
| ANGLES | 48° - 70° ± .187° | |
| | ± 1/2° | 70° - 144° ± .250° |



| | | | |
|--------------------------|----------------------------|--------------------------------|--------------------------------|
| 77001402 | 97060502 | 4220PA51H01800 | 4053PA51H01800 |
| 77001502 | 97060702 | 4223PA51G01800 | 4055PA51H01800 |
| 77001602 | 97061102 | 4228PA51H01800 | 4056PA22101800 |
| 77001802 | 97061202 | 4231PA51H01800 | 4056PA51G01800 |
| 77003902 | 97061302 | 4239PA51H01800 | 4056PA51H01800 |
| 77004102 | 97061802 | 4240PA51H01800 | 4058PA01H01800 |
| 77004302 | 97062002 | 4242PA22101800 | 4060PA51G01800 |
| 77004902 | 97062902 | 4242PA51G01800 | 4064PA51H01800 |
| 77005615 | 97063202 | 4242PA51H01800 | 4078PA22101800 |
| 77005617 | 97063702 | 4245PA51G01800 | 4078PA51H01800 |
| 77006102 | 97064002 | 4246PA51H01800 | 4081PA51H01800 |
| 77008102 | 97064502 | 4283PA51G01800 | 4082PA51H01800 |
| 77008402 | 97064602 | 4283PA51H01800 | 4084PA51H01800 |
| 77008502 | 97065402 | 4286PA51H01800 | 4090PA51H01800 |
| 77009102 | 97065502 | 4295PA51H01800 | 4094PA51G01800 |
| 77009402 | 97065517 | 4357PA51H01800 | 4096PA22101800 |
| 77009802 | 97065602 | 4358PA51H01800 | 4096PA51G01800 |
| 97011002 | 97072802 | 4359PA51H01800 | 4096PA51H01800 |
| 97013502 | 97091002 | 4375PA51G01800 | 4098PA51H01800 |
| 97022102 | 97091302 | 4375PA51H01800 | 4105PA51H01800 |
| 97031002 | 97091802 | 4379PA51G01800 | 4106-s |
| 97043602 | 97092102 | 4379PA51H01800 | 4112PA51G01800 |
| 97043802 | 97094102 | 4519PA51H01800 | 4131PA51H01800 |
| 97050002 | 97095102 | 4520PA22101800 | 4134PA51H01800 |
| 97051002 | 97095202 | 4520PA51G01800 | 4157PA51H01800 |
| 97051502 | 97095502 | 4520PA51H01800 | 4164PA51G01800 |
| 97052002 | 97095802 | 4522PA22101800 | 4164PA51H01800 |
| 97052102 | 97097302 | 4522PA51G01800 | 4168PAH1K01800 |
| 97052502 | 97097402 | 4522PA51H01800 | 4176PA51H01800 |
| 97052702 | 97097602 | 4548PA51G01800 | 4181PA51G01800 |
| 97053602 | 98054202 | 4569PA01G01800 | 4181PA51H01800 |
| 97053802 | 0C97043802 | 4569PA01H01800 | 4184PA51G01800 |
| 97054002 | 0C97055002 | 4570PA01H01800 | 4184PA51H01800 |
| 97054102 | 0C97055902 | 4572AB01K09600 | 4186PA22101800 |
| 97054402 | 0D97065402 | 4584PA51G01800 | 4186PA51G01800 |
| 97054702 | 0D97098302 | 4584PA51H01800 | 4186PA51H01800 |
| 97055002 | 0D97098402 | 4593PAH1K01800 | 4202AB51K04720 |

| | | | |
|--------------------------|--------------------------------|--------------------------------|--------------------------------|
| 97055117 | 2238-.25 | 4594PA51H01800 | 4202PA22101800 |
| 97055202 | 2238-S | 4600PAH1K01800 | 4202PA51H01800 |
| 97055517 | 2240-.25 | 4609PA22101800 | 4206PA51G01800 |
| 97055602 | 4046PA22101800 | 4609PA51G01800 | 4206PA51H01800 |
| 97055802 | 4046PA51G01800 | 4609PA51H01800 | 4209PA22101800 |
| 97055902 | 4046PA51H01800 | 4612PA51H01800 | 4209PA51H01800 |
| 97056002 | 4047PA51H01800 | 4619PA51G01800 | 4211PA51H01800 |
| 97056302 | 4049PA22101800 | 4619PA51H01800 | 4212PA22101800 |
| 97056702 | 4049PA51G01800 | 4629PA51H01800 | 4212PA51G01800 |
| 97056902 | 4049PA51H01800 | 4630PA51H01800 | 4212PA51H01800 |
| 97057602 | 4051PA51H01800 | 4633PA51G01800 | 4215PA51H01800 |
| 97060302 | 4053PA22101800 | 4633PA51H01800 | 4216PA51H01800 |
| 97060402 | 4053PA51G01800 | 4688PA51G01800 | 4219PA51H01800 |