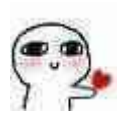


Laird-DI2220V301R-10-PDF

深圳创唯电子有限公司

<http://www.laird-tek.com>



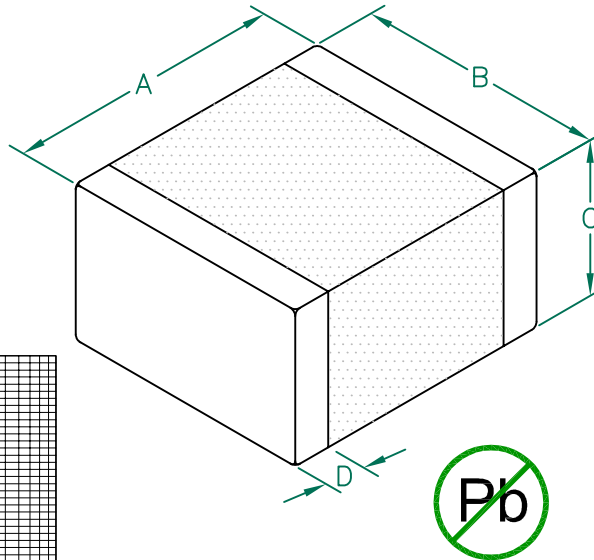
♂ 点击搜索查询更多型号哦~

DI2220V301R-10

UNCONTROLLED DOCUMENT

PHYSICAL DIMENSIONS:

| | | |
|---|-------------|---------------|
| A | 5.59 [.220] | ± 0.51 [.020] |
| B | 5.08 [.200] | ± 0.25 [.010] |
| C | 3.61 [.142] | ± 0.25 [.010] |
| D | 0.76 [.030] | ± 0.25 [.010] |



ELECTRICAL CHARACTERISTICS:

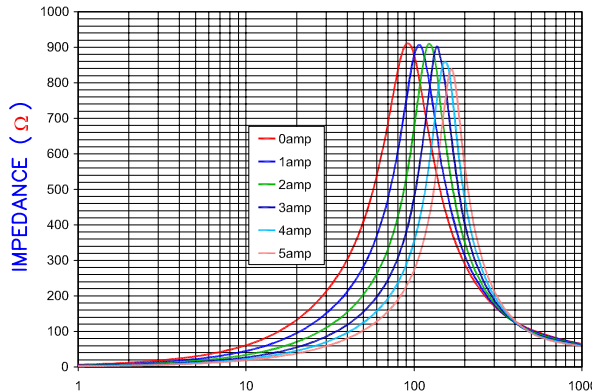
| L @ 5 Amps (nH) | | DCR (Ω) | Rated Current |
|-----------------|-----|---------|---------------|
| Nominal | 300 | | |
| Minimum | 270 | | |
| Maximum | 330 | 0.010 | 8000 mA |

* AS MEASURED IN CIRCUIT @ 2MHz

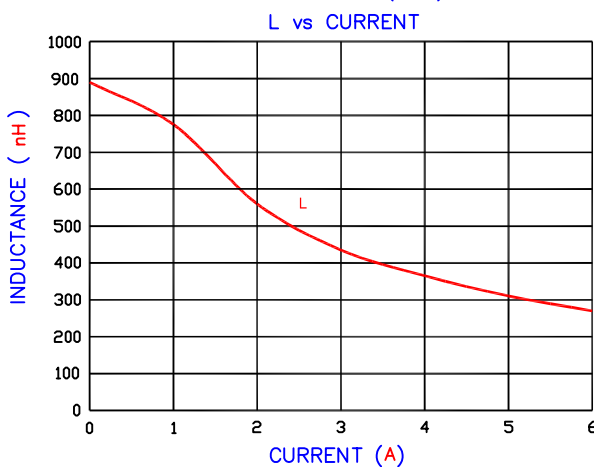
NOTES: UNLESS OTHERWISE SPECIFIED

1. TAPED AND REELED per CURRENT EIA SPECIFICATIONS 13" REELS, 2,000 PCS/REEL.
2. TERMINATION FINISH IS 100% TIN.
3. COMPONENTS SHOULD BE ADEQUATELY PREHEATED BEFORE SOLDERING.
4. U.S. PATENT 6,249,205B1 SHOULD APPEAR ON THE LABEL OF EACH REEL OF PACKAGED PARTS.
5. OPERATING TEMPERATURE TEMP: -40°C~+125°C (INCLUDING SELF-HEATING)

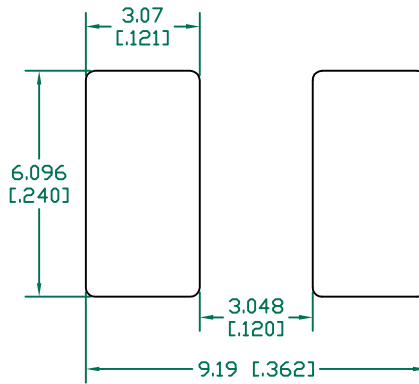
Z vs FREQUENCY
IMPEDANCE UNDER DC BIAS



L vs CURRENT

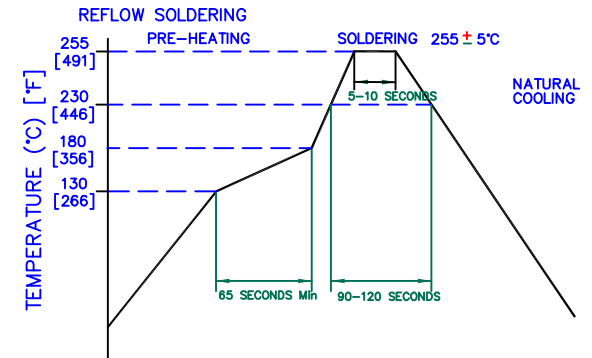


LAND PATTERNS FOR REFLOW SOLDERING



(For wave soldering, add 0.762 [.030] to this dimension.)

RECOMMENDED SOLDERING CONDITIONS



| DIMENSIONS ARE IN mm [INCHES]. | | | | This print is the property of Laird Tech. and is loaned in confidence subject to return upon request and with the understanding that no copies shall be made without the written consent of Laird Tech. All rights to design or invention are reserved. | | Laird | |
|--------------------------------|--|----------|-----|---|------------------|--------------|-----|
| D | OPERATING TEMPERATURE UPDATE LAIRD LOGO AND REFLOW CURVE | 08/05/13 | QU | PROJECT/PART NUMBER: | DI2220V301R-10 | REV | D |
| C | UPDATE COMPANY LOGO | 05/22/09 | JRK | PART TYPE: | CO-FIRE | DRAWN BY: | QU |
| B | UPDATE COMPANY LOGO, ADD ROHS | 01/10/08 | JRK | DATE: | 08/05/13 | SCALE: | NTS |
| A | ORIGINAL DRAFT | 04/02/04 | TMB | SHEET: | | | |
| REV | DESCRIPTION | DATE | INT | CAD # | DI2220V301R-10-D | TOOL # | - |